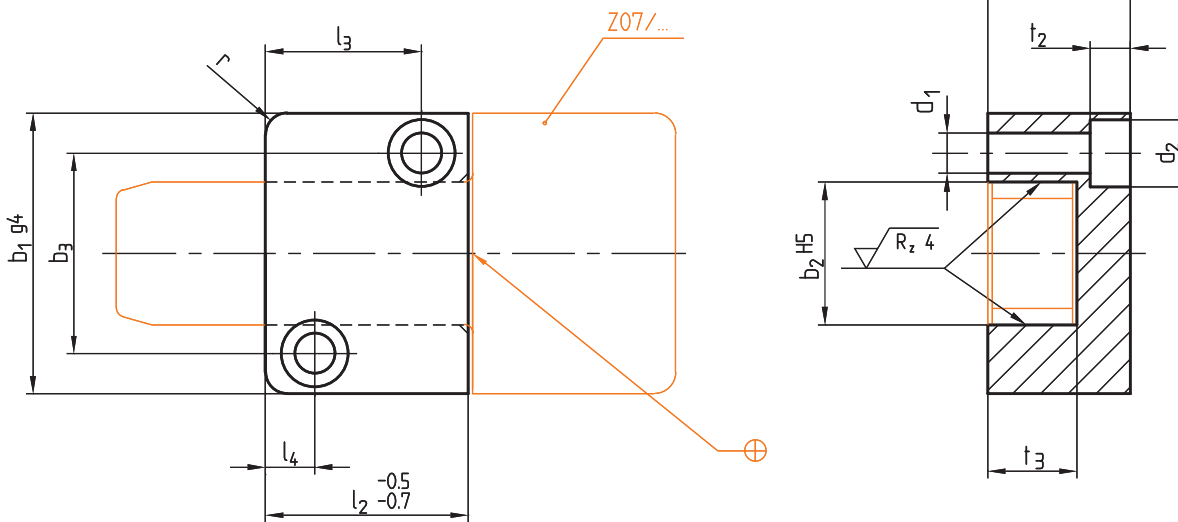
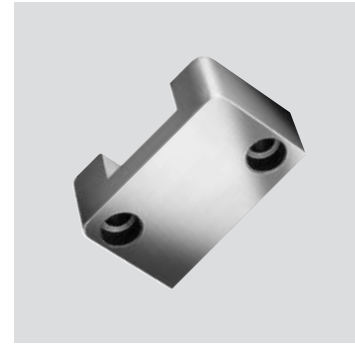


Z17/...

Mat.: 1.7131/700 + 60 HV 30



r	t ₃	t ₂	t ₁	d ₂	d ₁	l ₄	l ₃	b ₃	b ₁	l ₂	b ₂	Nr./No.
6	12	6,2	20	10,3	6,3	7	15	26	40	22	16	Z17/22/16
	14		19				31	45	27	20	27/20	
8	15	9	25	15	9	9	27	35	50	36	25	36/25
	20		11			32	15	9	11	35	45	63
10	23	11	36	18	11	15	40	60	85	56	40	56/40
	25		13			40	18	14	18	48	74	100

This is trial version
www.adultpdf.com